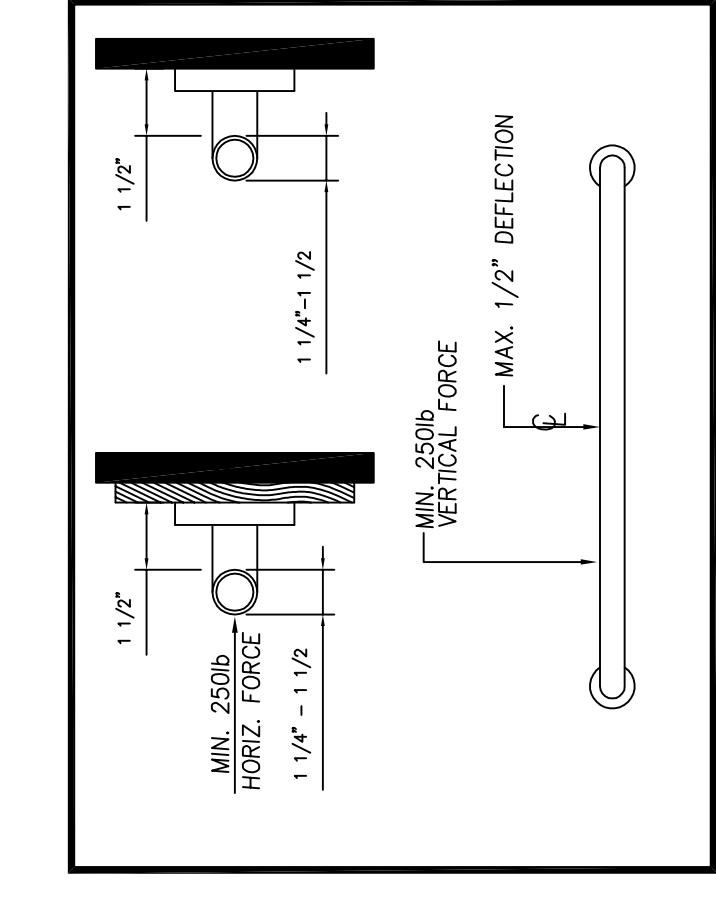
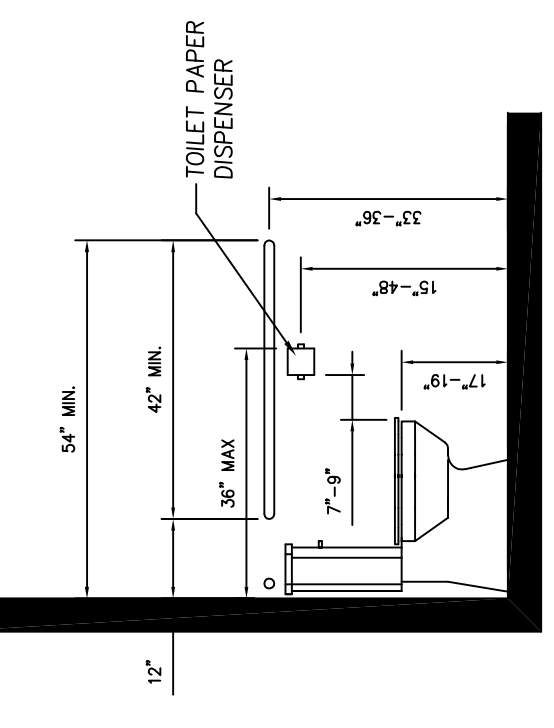


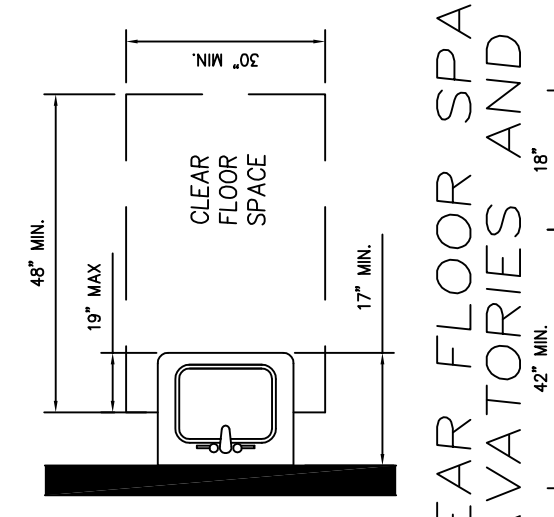
A SECTION
SCALE: 3/8" = 1'-0"



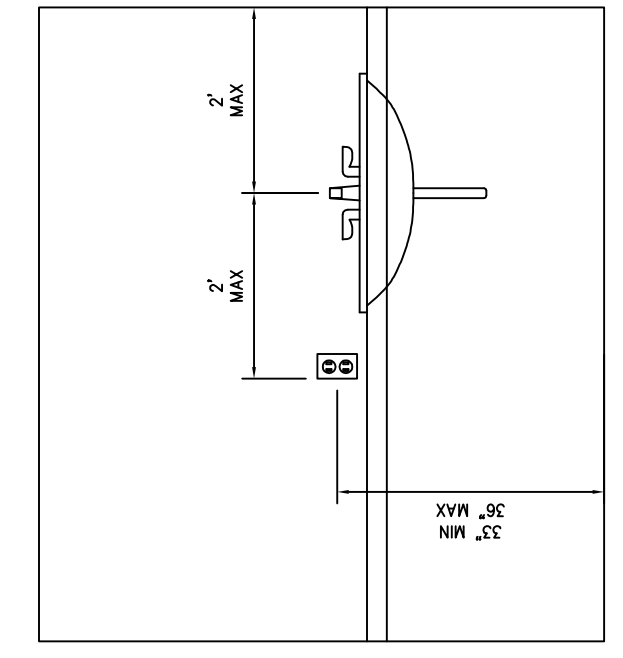
GRAB BAR REQUIREMENTS



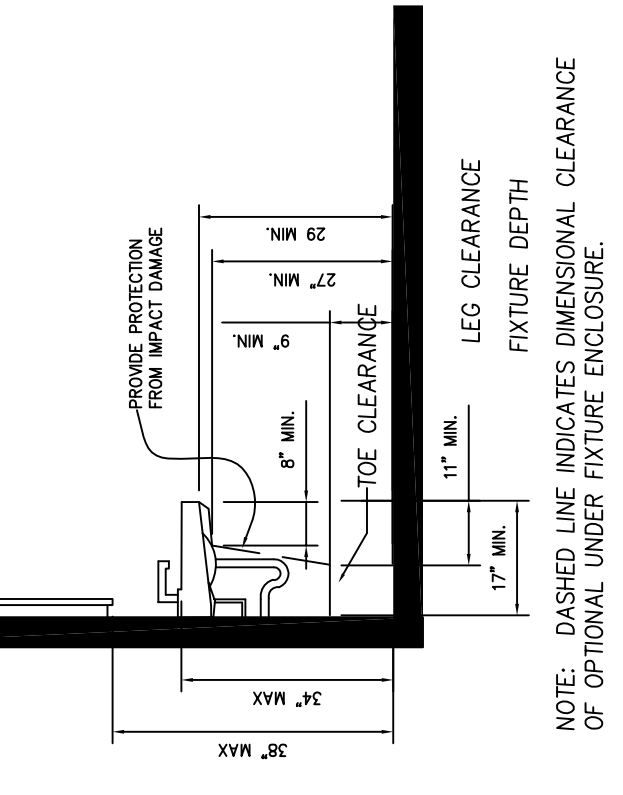
WATER CLOSET SIDE VIEW



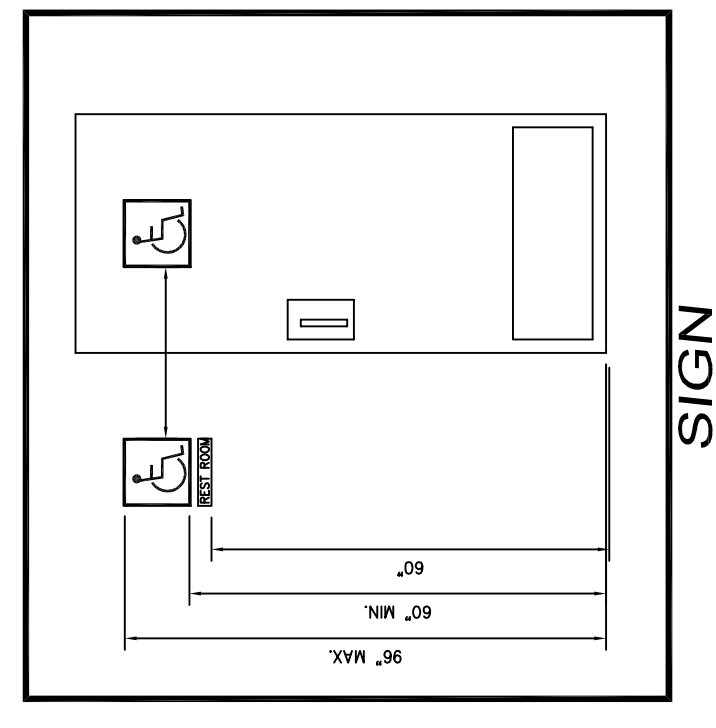
CLEAR FLOOR SPACE AT LAVATORIES AND SINKS



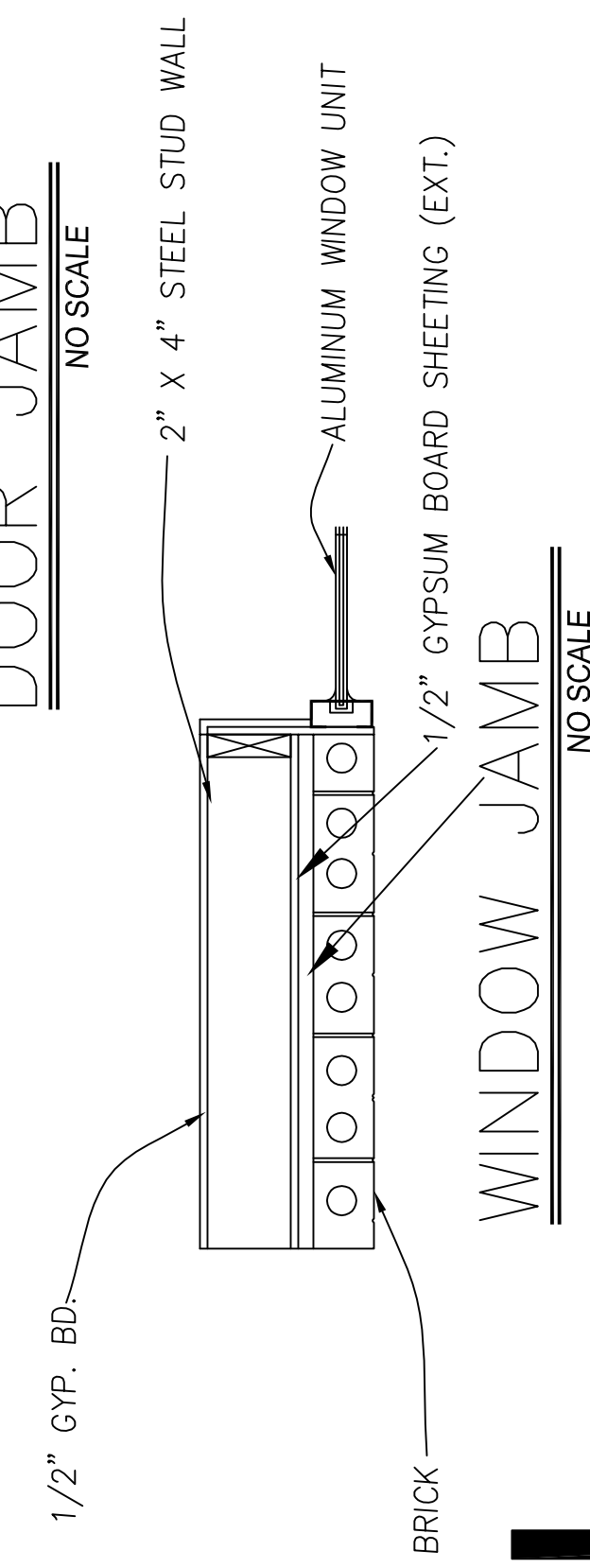
DUPLEX RECEPTACLE



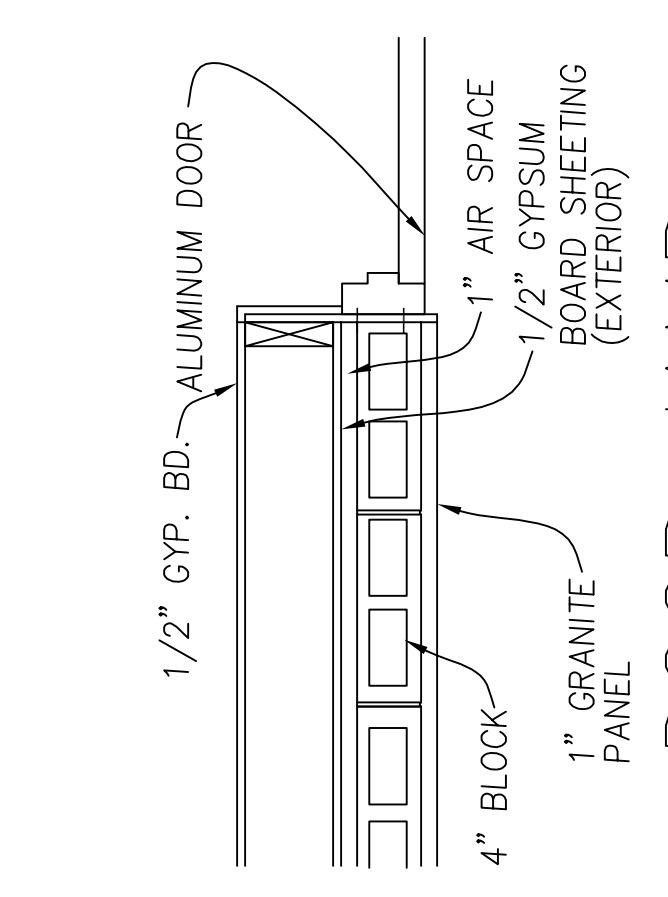
LEG CLEARANCES



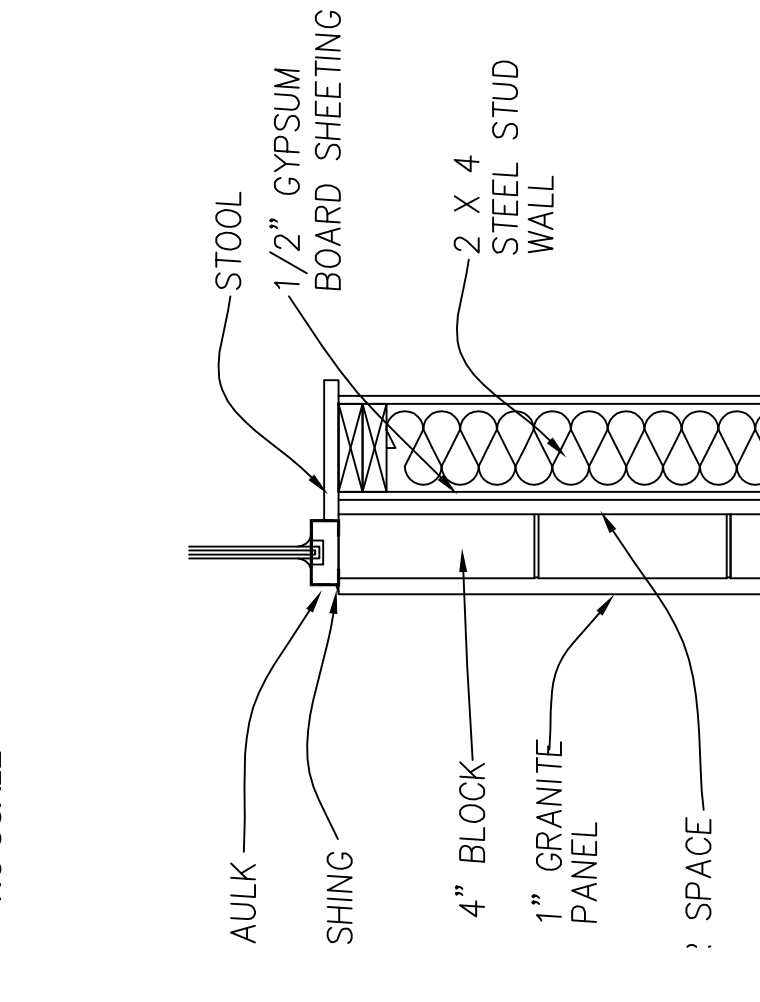
SIGN



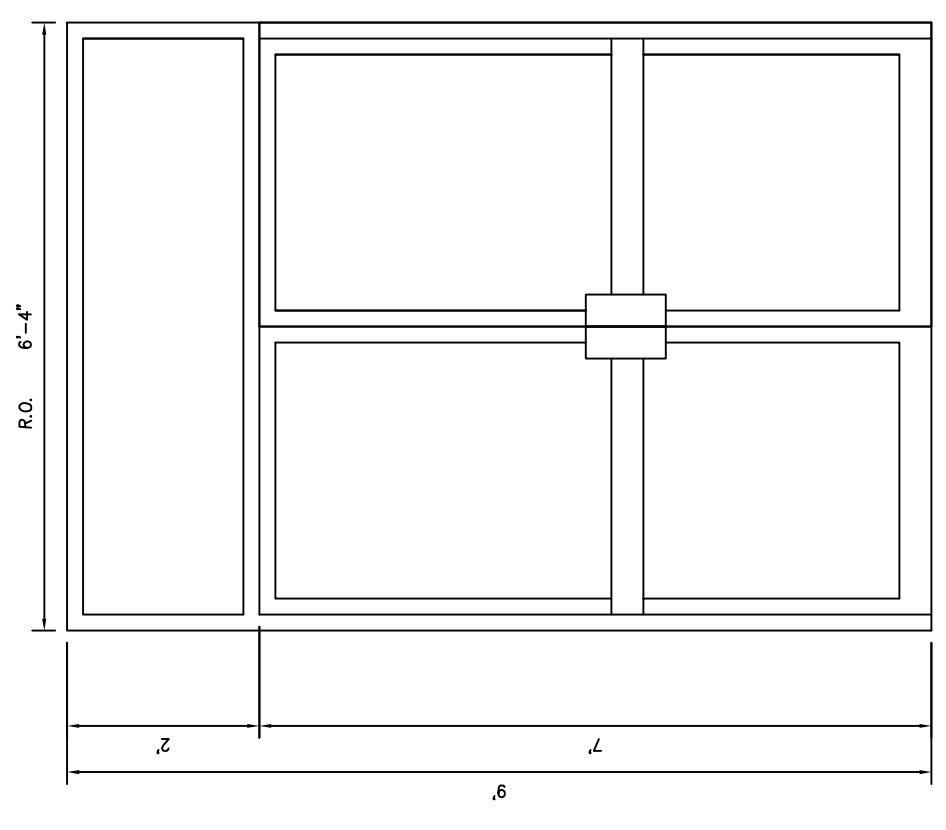
WINDOW JAMB



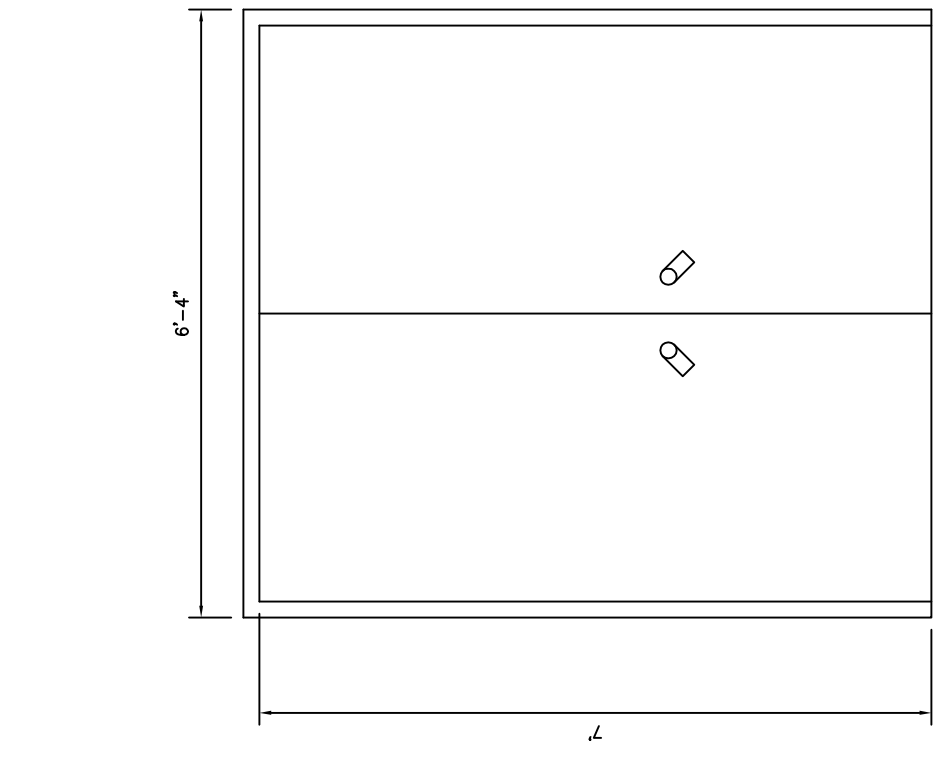
DOOR JAMB



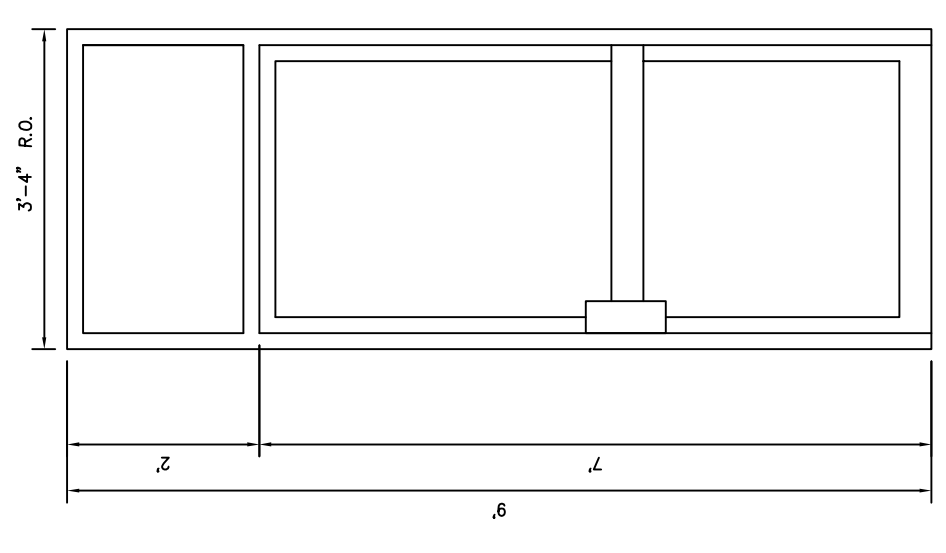
WINDOW SILL



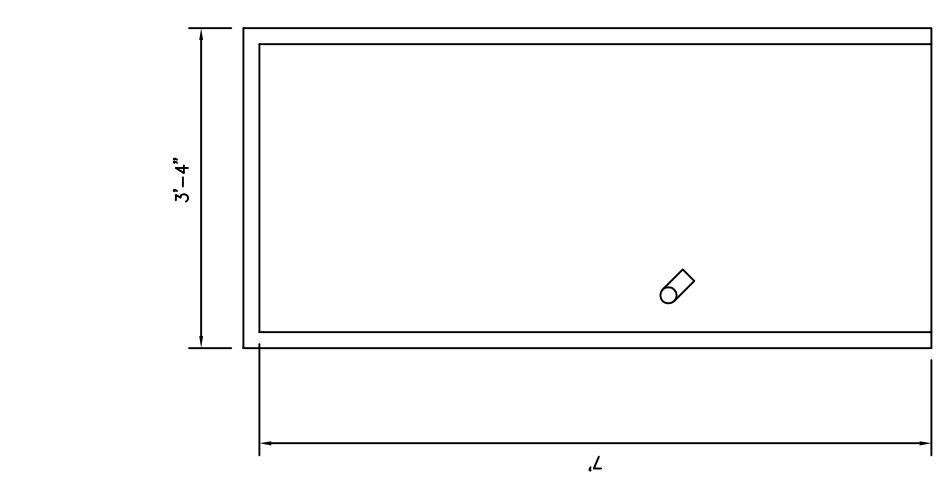
TYPE I ALUMINUM STORE FRONT DOOR



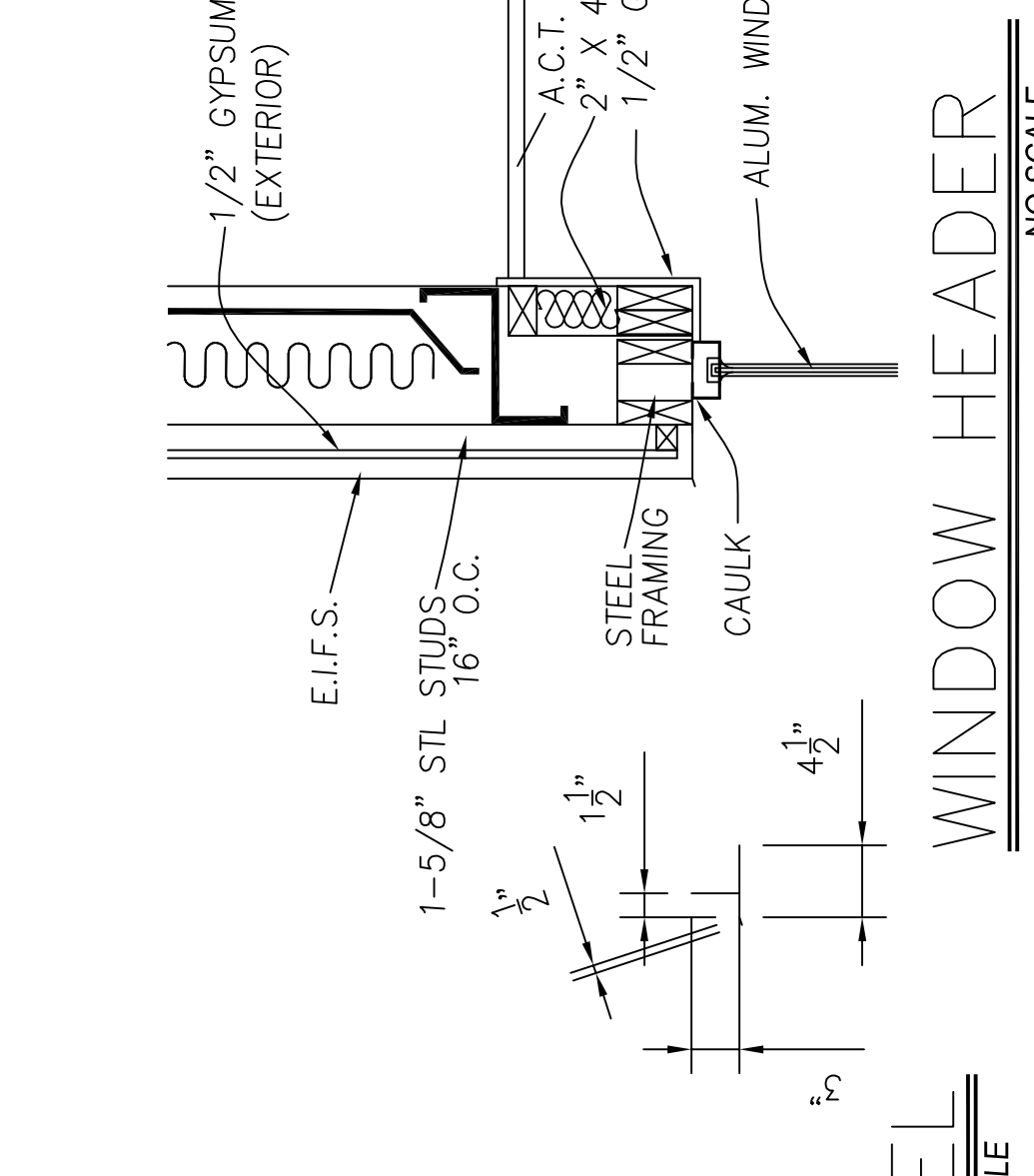
TYPE II STEEL DOOR STEEL FRAME



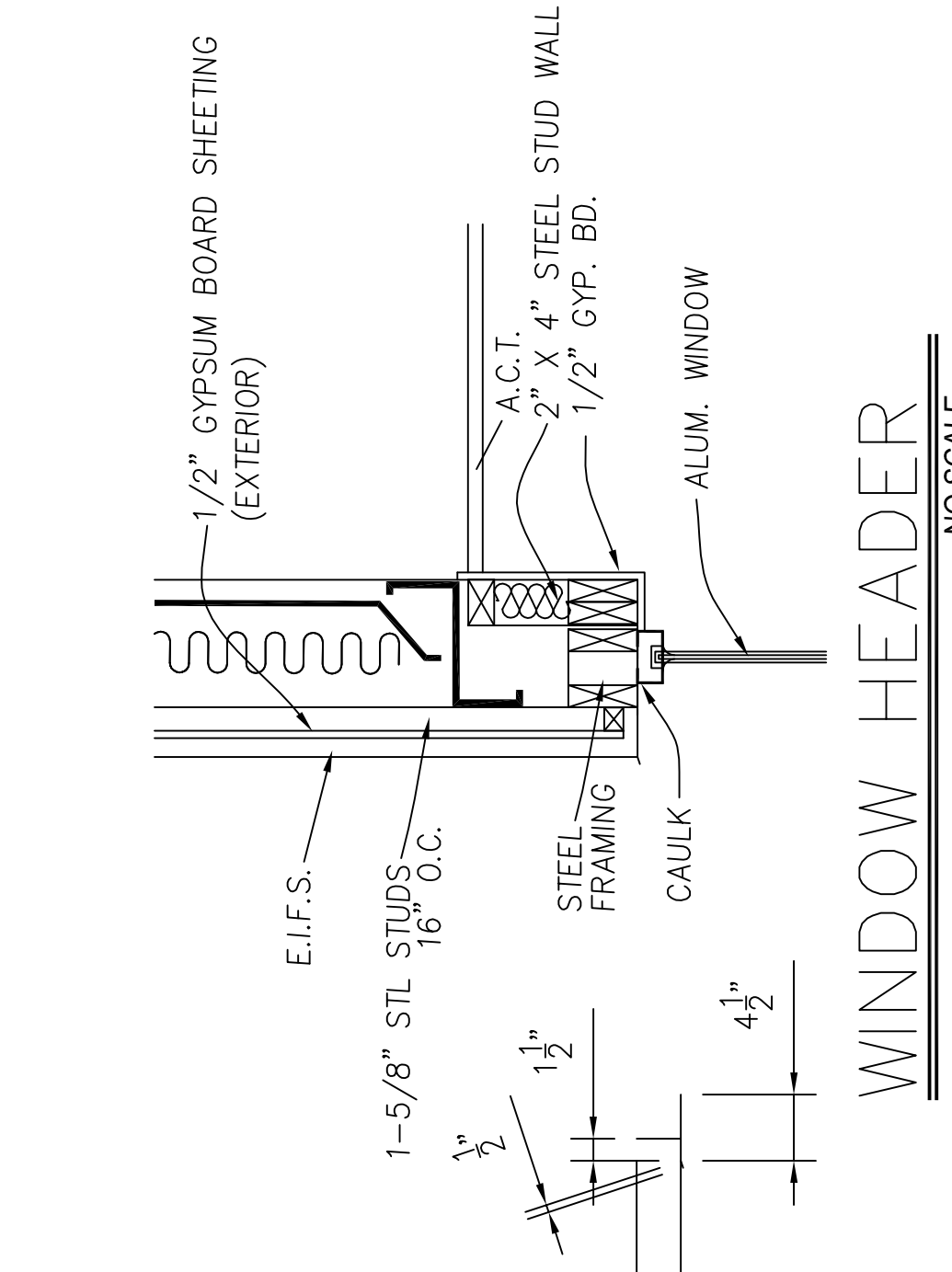
TYPE III ALUMINUM STORE FRONT DOOR



TYPE IV STEEL DOOR STEEL FRAME



HEADER @ STEEL WALL PANEL



WINDOW HEADER